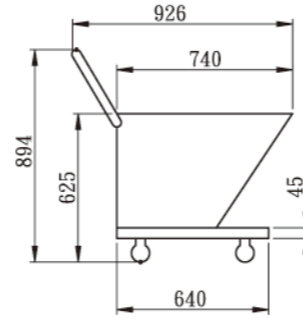
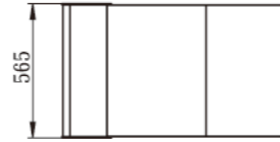
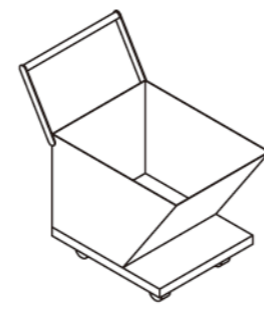


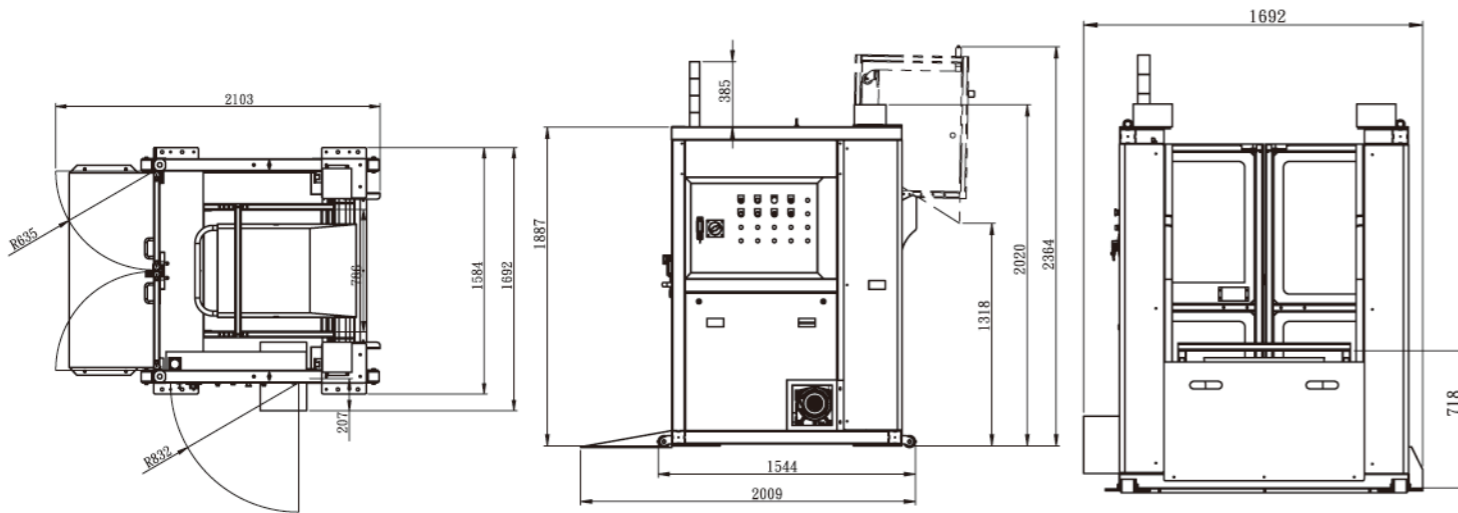
機械規格表 Mechanical Specifications

項目/機型 Model	KLFM-200
馬力 Motor	1/2 HP
減速比 Gear Reduction Ratio	200:1
抬升高度 Lifting Length	1200 mm
最大可容鐵屑桶或車(長x寬x高) Max Dimension Cart	750x850x620 mm
最大承載重量 Max Loading Weight	200 kgs
長x寬x高 LxWxH	1850x1435x3037 mm
淨重(含標準配備) Net Weight (incl. std accessories)	600 kgs



*We reserve the right to modify & specifications, so that, those are subjected to change, without prior notice.

*上列規格僅供參考,規格及尺寸如有變更,恕不另行通知。



震唯機械股份有限公司

JENN WEI MACHINERY CO., LTD.

41465 台灣台中市烏日區溪南路一段680巷239號

No. 407, Shih Nan Road, Sec. 1, Wu Jih District 41465

Taichung City, Taiwan

Tel: 886-4-23352368

Fax: 886-4-23353880

E-mail: L3352368@ms49.hinet.net

Web Site: www.jennwei.com

Agent



JENN WEI MACHINERY CO., LTD.

自動 安全 低碳化 效率
Automatic Safe Decarbonization Efficient

鐵屑車抬舉機 LIFTING MACHINE

KLFM-200



智能提升，效率加倍！
Intelligent lifting, double the efficiency!

安全運行，無憂搬運！
Safe operation, worry-free transportation!

堅固耐用，長效運行！
Sturdy and durable, long-lasting performance!



www.jennwei.com

本機特性 Features

自動抬升功能：鐵屑車抬舉機通常配備有液壓系統或電動提升裝置，能夠自動抬升或降低鐵屑車，減少人工操作的負擔。

Automatic Lifting Function: The metal chip lifting machine is usually equipped with a hydraulic system or electric lifting device, capable of automatically raising or lowering the metal chip cart, reducing the burden of manual operation.

高承載能力：這些設備設計上需要承受鐵屑的重量，因此通常具備較高的承載能力，能有效處理大量鐵屑。

High Load Capacity: These machines are designed to withstand the weight of metal chips, so they typically have a high load capacity, enabling them to effectively handle large amounts of metal chips.

本抬舉機可配合鐵屑車之規格大小來做調整或客製，以應付各種機型之運用。

This lifting machine can be adjusted or customized according to the specifications and size of the scrap iron cart to accommodate various machine models and applications.

安全設計：通常配備防護裝置或緊急停止系統，保障操作人員的安全。

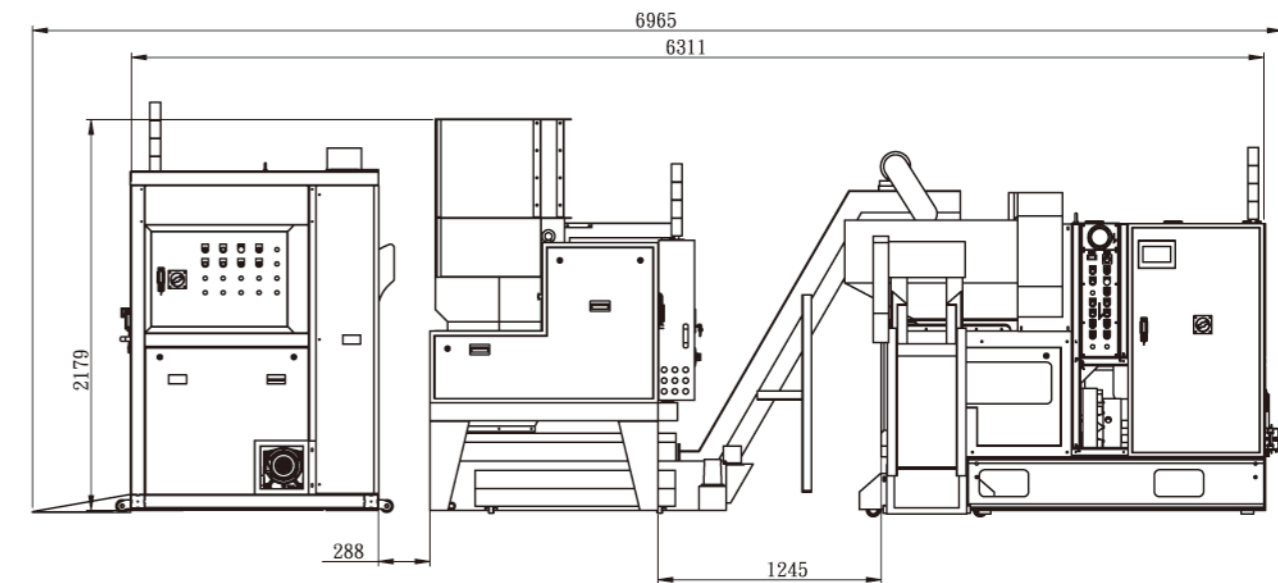
Safety Design: Typically equipped with protective devices or emergency stop systems to ensure the safety of the operators.



加工機 → 抬舉 → 破碎 → 擠壓 → 完成
Processing machine → Lifting → Crushing → Compacted → Completion

整合多機一貫性自動運作生產(整廠規劃)

Integration of Multi-Machine Unified Automated Production
(Plant-wide Planning)



抬舉機可配合破碎機及擠壓機使用，並達到自動化、省力化，效率高，適合各種加工機所產生的廢屑。

The lifting machine can be used in conjunction with crushers and extruders, achieving automation, labor-saving, and high efficiency. It is suitable for handling the waste generated by various processing machines.